

Features

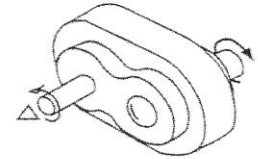
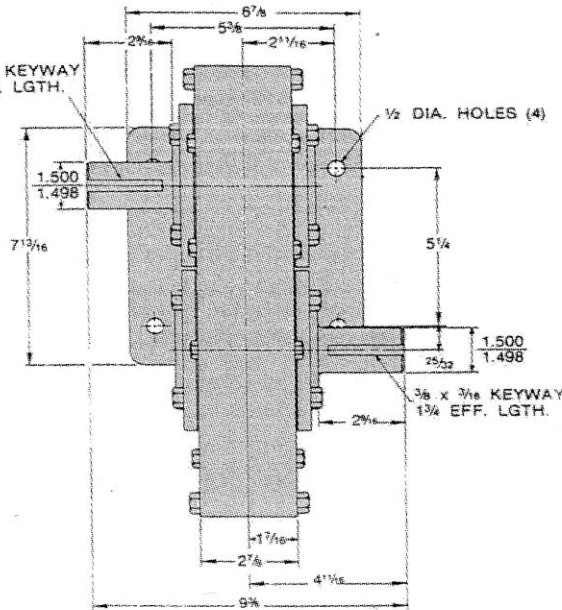
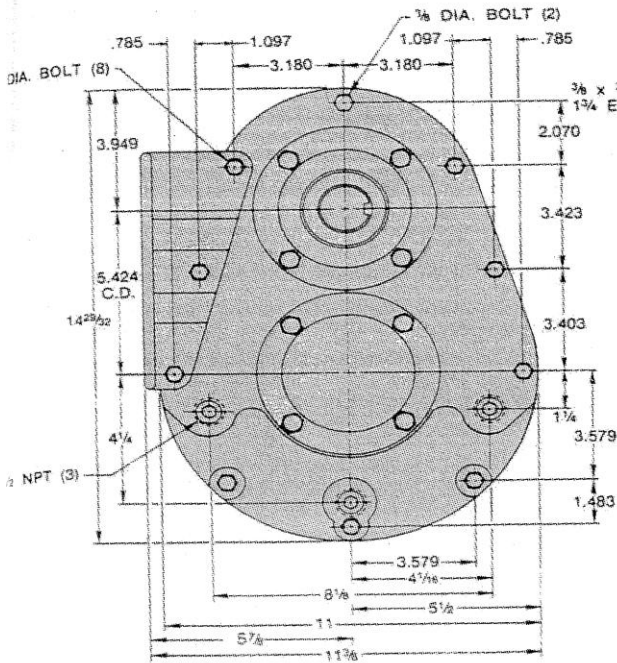
- Simple design. Helical Gearing
- Rugged cast iron housing. Designed for rigid gear and bearing support. Alloy shafting for greater strength.
- Tapered roller bearings for strength and life.
- Choice of five (5) standard gear ratios.
- Heat treated steel gearing for strength and long wear life.
- Heavy duty seals to retain lubricant and prevent ingress of contaminants.
- Available with feet, and/or shaft mounting.

DAVAL GEAR'S Bevel Gears

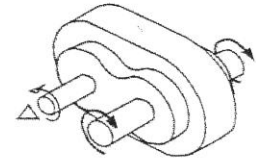
BG 5

Ratio 1:1 to 4:1

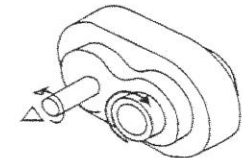
GEARS



STYLE A



STYLE DO

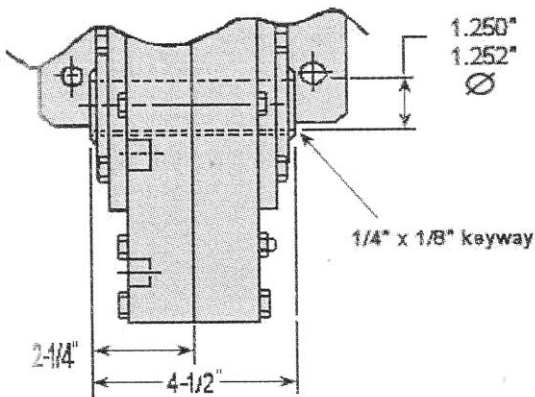


STYLE SO

OIL CAPACITY BY VOLUME (APPROX.) 1.5 PINTS

DRY SHIPPING WEIGHT 83 LBS

OPTIONAL OUTPUT BORE:
1-1/2 WITH 3/8 X 3/16 KEYWAY



input RPM	ratio					
	1:1	1.5:1	2:1	3:1	4:1	
1750	input HP	160	132	105	63	45
	input Kw	119	98	78	47	34
	output RPM	1750	1167	875	583	438
	output torque lbs/in	5589	8917	7336	6602	6288
1150	output torque Nm	631	1007	828	745	710
	input HP	119	91	71	44	33
	input Kw	89	68	53	33	25
	output RPM	1150	767	575	383	288
850	output torque lbs/in	6326	7256	7548	7017	7017
	output torque Nm	714	819	852	792	792
	input HP	89	71	53	32	27
	input Kw	66	53	40	24	20
670	output RPM	850	567	425	283	213
	output torque lbs/in	6401	7660	7624	6905	7768
	output torque Nm	723	865	861	780	877
	input HP	75	60	48	28	20
500	input Kw	56	45	36	21	15
	output RPM	670	450	345	230	175
	output torque lbs/in	6645	7974	8506	7442	7088
	output torque Nm	750	900	960	840	800
100	input HP	13	10	8	4.8	3.5
	input Kw	9.7	7.5	6.0	3.6	2.6
	output RPM	100	67	50	33	25
	output torque lbs/in	7947	9170	9781	8803	8559
output torque Nm	897	1035	1104	994	966	

Example of order reference:

BG5-RATIO-STYLE

BG5-1.5:1.50 -1 off

BG5 Foot Set -1 off