

**DAVALL**  
GEARS  
**Bevel Gears**

**Spiral 1:1 Mitre**

**Steel, 2.0 to 5.0 module**

GEARS

Mod	No. Teeth	Outside Dia. De	Pitch Dia. Dp	Bore Dia. DI	Boss Dia. Dn	Overall Length A	Length through bore L	Face Width F	Boss Projection Lm	Mounting Distance dm	Catalogue No
2	16	34.6	32	10	25	19.9	16.9	9	9.5	29	MSB20-16-S
2	20	42.6	40	10	32	24.9	21.7	12	12	36	MSB20-20-S
2	25	52.6	50	12	40	27.4	24.8	14	12	42	MSB20-25-S
2	30	62.6	60	12	50	29.9	26.9	16	13	48	MSB20-30-S
2.5	16	43.2	40	12	32	24.8	21.8	12	13	37	MSB25-16-S
2.5	20	53.3	50	12	40	30.2	26.7	18	16	46	MSB25-20-S
2.5	25	65.8	62.5	15	50	33.2	29.9	20	16	53	MSB25-25-S
2.5	30	78.3	75	15	55	35	31.8	22	16	59	MSB25-30-S
3	16	51.9	48	15	40	29.4	25.8	12	16	44	MSB30-16-S
3	20	63.9	60	15	45	34.5	30.7	18	13.5	51	MSB30-20-S
3	25	78.9	75	15	55	37.5	33.7	20	16	60	MSB30-25-S
3	30	93.9	90	20	60	39.5	35.8	22	19	68	MSB30-30-S
3.5	16	60.2	56	15	45	34.1	29.5	14	17.5	51	MSB35-16-S
3.5	20	74.2	70	15	55	35.9	31.2	15	19	59	MSB35-20-S
3.5	25	91.7	87.5	20	65	43.6	38.7	26	18	68	MSB35-25-S
3.5	30	109.2	105	20	70	45.8	40.9	30	17	76	MSB35-30-S
4	16	68.8	64	15	50	36	30.8	15	17	56	MSB40-16-S
4	20	84.8	80	18	60	37.5	32.5	17	18	64	MSB40-20-S
4	25	104.8	100	20	70	40.4	35.2	21	18	74	MSB40-25-S
4	30	124.8	120	25	80	43.2	38.1	25	16	84	MSB40-30-S
4.5	16	77.4	72	18	55	39.3	33.5	15	18.5	63	MSB45-16-S
4.5	20	95.4	90	20	65	42.8	36.5	20	18	72	MSB45-20-S
4.5	25	117.9	112.5	20	75	45	39	25	18	72	MSB45-25-S
4.5	30	140.4	135	25	90	48	42	28	17	94	MSB45-30-S
5	16	86	80	20	60	41.9	35.5	17	18	68	MSB50-16-S
5	20	106	100	20	70	44.7	37.7	21	18.5	78	MSB50-20-S
5	25	131	125	20	90	47.8	41.8	26	18.5	90	MSB50-25-S
5	30	156	150	30	110	52.5	45.7	32	18	103	MSB50-30-S

**Specification**

All dimension in millimetres  
 Pressure angle 20°  
 Helix Angle 35°  
 General tolerance  $\pm 0.25$   
 Angular accuracy between shafts  $\pm 0^{\circ}5'$   
 Shafts axes should intersect within  $\pm 0.025$   
 Mounting distance tolerance  $+ \text{nil} / - 0.05$   
 These gears are not hardened  
 Can only be run as a set (extra gear can be supplied - specify handing)  
 1 set comprises 1 left hand gear & 1 right hand gear

**Material**

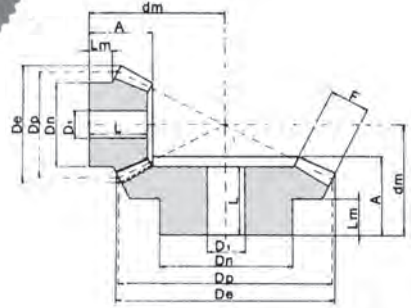
En8 or similar

**To Order**

1 off MSB20-16-S-RH  
 1 off MSB20-16-S-LH

### Spiral 2:1 Mitre

Steel, 2.0 to 5.0 module



GEARS

Mod	No. Teeth	Handing	Outside Dia. De	Pitch Dia. Dp	Bore Dia. DI	Boss Dia. Dn	Overall Length A	Length through bore L	Face Width F	Boss Projection Lm	Mounting Distance dm	Catalogue Ref	Steel
2	16	left	36.6	32	10	27	22.5	45	10	11.7	45	MSB20-2-S-PIN-LH	
2	32	right	65	64	12	40	24.1	35	10	10	35	MSB20-2-S-GEAR-RH	
2.5	16	left	45.7	40	12	34	27.5	56	12	14.5	56	MSB25-2-S-PIN-LH	
2.5	32	right	81.3	80	15	50	29.2	43	12	15	43	MSB25-2-S-GEAR-RH	
3	16	left	54.1	48	15	40	28.4	62	15	12	62	MSB30-2-S-PIN-LH	
3	32	right	97.5	96	15	60	34.6	51	15	15	51	MSB30-2-S-GEAR-RH	
3.5	16	left	63.2	56	15	48	33.3	72	18	14	72	MSB35-2-S-PIN-LH	
3.5	32	right	113.8	112	20	70	39.1	58	18	19	58	MSB35-2-S-GEAR-RH	
4	16	left	72.2	64	20	50	36.2	81	20	13.5	81	MSB40-2-S-PIN-LH	
4	32	right	130	128	20	80	44.2	66	20	23	66	MSB40-2-S-GEAR-RH	
4.5	16	left	81.2	72	20	60	40.2	91	22	16	91	MSB45-2-S-PIN-LH	
4.5	32	right	146.2	144	25	80	49.2	74	22	24	74	MSB45-2-S-GEAR-RH	
5	16	left	90.2	80	20	60	50	106	25	21	106	MSB50-2-S-PIN-LH	
5	32	right	162.5	160	25	85	53.7	81	25	27	81	MSB50-2-S-GEAR-RH	

#### Material

En8 or similar

#### Specification

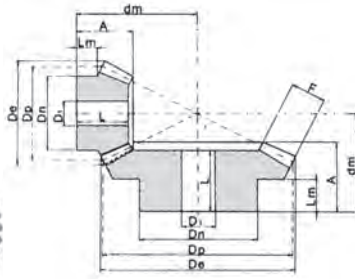
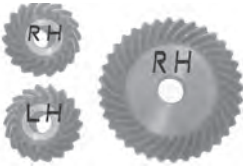
All dimension in millimetres  
 Pressure angle 20°  
 Helix Angle 35°  
 General tolerance  $\pm 0.25$   
 Angular accuracy between shafts  $\pm 0^{\circ}5'$   
 Shafts axes should intersect within  $\pm 0.025$   
 Mounting distance tolerance [+ nil / - 0.05]  
 These gears are not hardened  
 Can only be run as a set (extra part available)  
 1 set comprises 1 left hand pinion  
 & 1 right hand gear

#### To Order

- 1 off MSB20-2-S-PIN-LH
- 1 off MSB20-2-S-GEAR-RH

Spiral 3:1 and 4:1 ratio

Steel, 2.0 to 5.0 module



No. Mod	Teeth	Handing	Outside Dia. De	Pitch Dia. Dp	Bore Dia. D1	Boss Dia. Dn	Overall Length A	Length through bore L	Face Width F	Boss Projection Lm	Mounting Distance dm	Catalogue Ref	Steel
2	16	left	37.1	32	12	25	25.6	24.0	15	9.7	59	MSB20-3-S-PIN-LH	
2	48	right	96.6	96	15	50	25.2	21.4	15	13	36	MSB20-3-S-GEAR-RH	
2.5	16	left	46.4	40	14	33	27.7	26.2	18	8.9	70	MSB25-3-S-PIN-LH	
2.5	48	right	120.8	120	20	60	31.4	26.3	18	16	45	MSB25-3-S-GEAR-RH	
3	16	left	54.8	48	15	42	29.8	28.1	18	11	84	MSB30-3-S-PIN-LH	
3	48	right	145.0	144	20	65	36.6	31.1	18	19	54	MSB30-3-S-GEAR-RH	
3.5	16	left	64.0	56	15	48	36.8	33.9	22	13.6	99	MSB35-3-S-PIN-LH	
3.5	48	right	169.1	168	20	75	43.1	36.0	22	23	63	MSB35-3-S-GEAR-RH	
4	16	left	73.1	64	20	55	41.7	39.2	25	15.5	113	MSB40-3-S-PIN-LH	
4	48	right	193.3	192	22	85	49.2	40.9	25	27	72	MSB40-3-S-GEAR-RH	
4.5	16	left	82.2	72	20	60	53.7	50.2	28	24	134	MSB45-3-S-PIN-LH	
4.5	48	right	217.4	216	25	90	56.2	47.6	28	27	82	MSB45-3-S-GEAR-RH	
5	16	left	91.4	80	20	60	60.4	57.2	35	22.7	146	MSB50-3-S-PIN-LH	
5	48	right	241.6	240	28	100	63.6	53.6	35	35	91	MSB50-3-S-GEAR-RH	

No. Mod	Teeth	Handing	Outside Dia. De	Pitch Dia. Dp	Bore Dia. D1	Boss Dia. Dn	Overall Length A	Length through bore L	Face Width F	Boss Projection Lm	Mounting Distance dm	Catalogue Ref	Steel
2	16	left	37.3	32	12	25	24.0	23.1	15	8.2	73	MSB20-4-S-PIN-LH	
2	64	right	128.5	128	20	70	27.2	23.3	15	14	39	MSB20-4-S-GEAR-RH	
2.5	16	left	46.7	40	15	34	31.0	29.1	18	12.2	93	MSB25-4-S-PIN-LH	
2.5	64	right	160.6	160	20	80	34.2	29.2	18	16	49	MSB25-4-S-GEAR-RH	
3	16	left	55.1	48	15	40	32.1	30.2	20	11	108	MSB30-4-S-PIN-LH	
3	64	right	192.7	192	20	90	40.9	35.1	20	22	59	MSB30-4-S-GEAR-RH	

#### Specification

All dimension in millimetres  
 Pressure angle 20°  
 Helix Angle 35°  
 General tolerance  $\pm 0.25$   
 Angular accuracy between shafts  $\pm 0^{\circ}.5'$   
 Shafts axes should intersect within  $\pm 0.025$   
 Mounting distance tolerance  $[+ \text{nil} / - 0.05]$   
 These gears are not hardened  
 Can only be run as a set (extra part can be supplied)  
 1 set comprises 1 left hand pinion & 1 right hand gear

#### Material

En8 or similar

#### To Order

1 off MSB20-3-PIN-LH  
 1 off MSB20-3-GEAR-RH