

Stainless steel one step gearboxes

A modular and compact product

DISTRIBUTED BY

DAVALL
STOCK GEARS

DAVALL STOCK GEARS

Welham Green, Hatfield
Hertfordshire, England, AL9 7JB

Telephone:

Sales Desk +44 (0) 1707 283131

Switchboard +44 (0) 1707 283100

Fax +44 (0) 1707 283132

Email dsg@davall.co.uk

Smooth stainless steel housing

Flange

Fully modular to
IEC B14 and Compact
integrated motor.
NEMA C flange

Stainless steel Output shaft

With well
proportioned
bearings

Gears

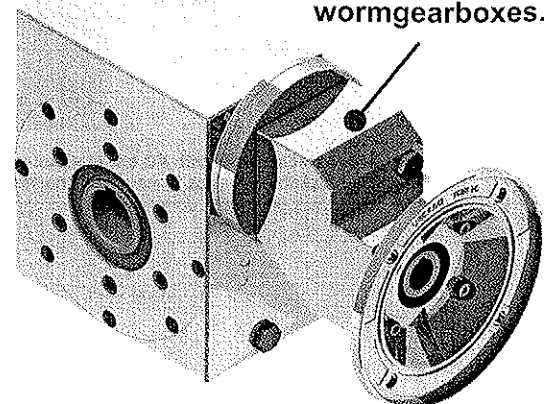
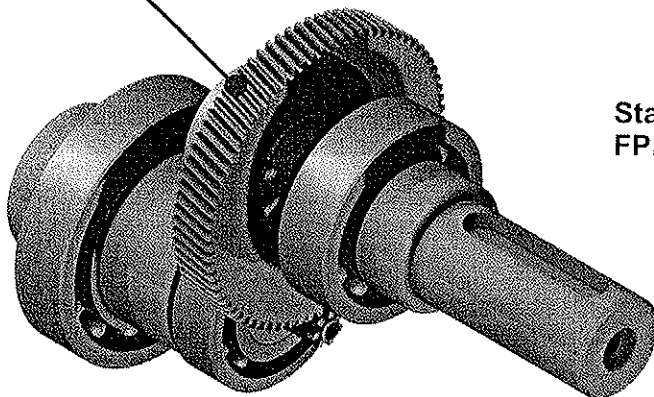
Hardened and
ground gears.

Lubricated for life with
synthetic oil
with operative range
from -15° to +130°C

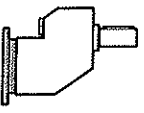
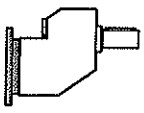
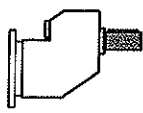
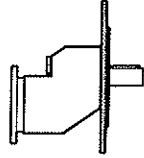
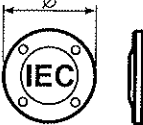
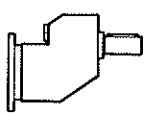
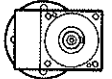


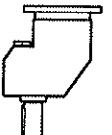
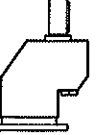
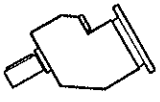
Standard
FPM (fkm) seals



Ideal for use as
first step with
wormgearboxes.



CODIFICA / HOW TO ORDER / TYPENBEZEICHNUNGEN / CODIFICATION / CODIFICACIÓN

Type - Tipo Typ Type - Tipo	Size - Grandezza Grösse - Taille Tamaño	Mounting Montaggio Montage Fixation Tipo de montaje	Ratio - Rapporto Untersetzung Reduction Relación	Output shaft Albero lento Abtriebswelle Arbre de sortie Eje solida	Output flange Flangia uscita Ausgangsflansch Bride de sortie Brida en salida	Motor size Grandezza motore Motor Grösse Grandeur moteur Tamaño motor	Mounting position Posizione montaggio Einbaulage Position de montage Position de montage
P	411I 511I	-F	1.57	C	4	-Q	B3
 P	411I 511I	 -N	See technical data table Vedi tabella dati tecnici. Technisches Datenblatt beachten Voir Tableau données techniques Ver tabla datos técnicos	 → STANDARD 411I C → ∅19 511I G → ∅28	 N Senza flangia Without flange 411I 4 → ∅200 511I 5 → ∅250	 411I Q 71B14 (∅105) R 80B14 (∅120) T 90B14 (∅140) 511I D 80B5 (∅200) E 90B5 (∅200) U 100-112 B14 (∅160) Without flange Senza flangia 411I -1 → ∅14 (71B5) -2 → ∅19 (80B5) -3 → ∅24 (90B5) 511I -2 → ∅19 (80B5) -3 → ∅24 (90B5) -4 → ∅28 (100B5)	 B3 STANDARD  B6  B7  B8  V5  V6  V8

On request

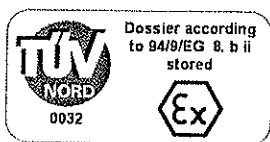
B Food lube

- B3 is supplied with standard oil quantity
- Please specify in the order if you required other mounting positions

DISTRIBUTED BY

DAVALL STOCK GEARS
Welham Green, Hatfield
Hertfordshire, England, AL9 7JB

Telephone:
Sales Desk +44 (0) 1707 283131
Switchboard +44 (0) 1707 283100
Fax +44 (0) 1707 283132
Email dsg@davall.co.uk



On request we can deliver our products according to the ATEX
A richiesta possiamo fornire i nostri prodotti secondo le normative ATEX
Auf Anfrage können wir unsere Produkte den Richtlinien ATEX entsprechend liefern
Sur demande nos produits peuvent se conformer à la réglementation ATEX
A pedido, se pueden enviar nuestros productos de acuerdo con las normas ATEX.



QUICK SELECTION / Selezione veloce

input speed (n_i) = 1400 min⁻¹

Output Speed n ₂ [min ⁻¹]	Ratio i	Motor power P _{1M} [kW]	Output torque M _{2M} [Nm]	Service factor f.s.	Nominal power P _{1R} [kW]	Nominal torque M _{2R} [Nm]	B5 motor flanges not available				Available B14 motor flanges			Output Shaft		
							-	-	-	-	Q	R	T			
892	1.57	1.5	15.7	1.3	1.90	20	-	-	-	-	71	80	90	standard ø19	2844 1954 1756 1558 1360 1063 974 776	01
493	2.84	1.5	28.4	1.2	1.84	35	-	-	-	-	-	-	-			02
426	3.29	1.5	32.9	1.2	1.73	38	-	-	-	-	-	-	-			03
362	3.87	1.5	38.7	1.0	1.54	40	-	-	-	-	-	-	-			04
303	4.62	1.5	46.1	1.0	1.54	47	-	-	-	-	-	-	-			05
222	6.30	1.1	46.0	1.0	1.10	46	-	-	-	-	-	-	-			06
170	8.22	0.55	30.4	1.2	0.69	38	-	-	-	-	-	-	-			07
130	10.86	0.37	26.8	1.0	0.38	28	-	-	-	-	-	-	-			08

The dynamic efficiency is 0.98 for all ratios

* The nominal power should be reduced if the ambient temperature is ≥ 30°C, or when a cooler gearbox is required.

* Diminuire la potenza nominale in caso di temperatura ambiente ≥ 30°C o se è richiesta una bassa temperatura di utilizzo del riduttore.

Motor Flanges Available
Flange Motore Disponibili

B) Supplied with Reduction Bushing
Fornito con Bussola di Riduzione

B) Available on Request without reduction bushing
Disponibile a Richiesta senza Bussola di Riduzione

C) Motor Flange Holes Position
Posizione Fori Flangia Motore

EN Unit 4111 is supplied with synthetic oil for lifetime lubrication, no maintenance is necessary.

DISTRIBUTED BY



DAVALL STOCK GEARS

Welham Green, Hatfield
Hertfordshire, England, AL9 7JB

LUBRICATION 4111 Oil Quantity 0.14 Lt.

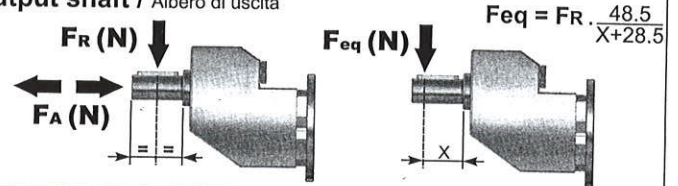
AGIP Telium VSF 320

SHELL Omala S4 WE 320

For all details on lubrication and plugs check our website

Per maggiori dettagli su lubrificazione e tappi olio vedi il nostro sito web

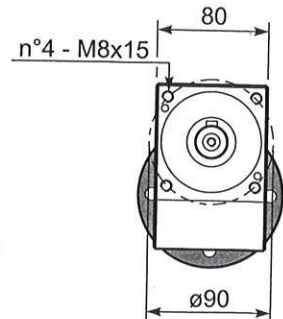
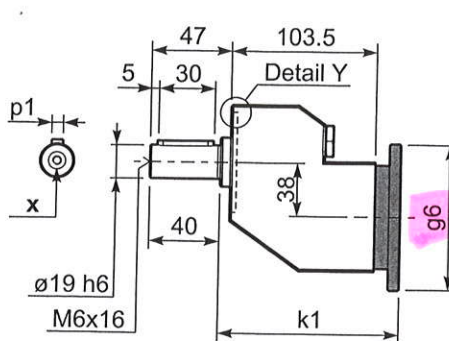
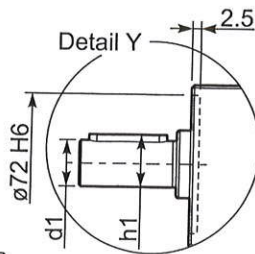
Output shaft / Albero di uscita



n ₂	FA	FR	n ₂	FA	FR	n ₂	FA	FR
700	182	910	400	230	1150	200	290	1450
600	100	1000	300	250	1250	140	320	1600

P4111-N... Basic gearbox
Riduttore base

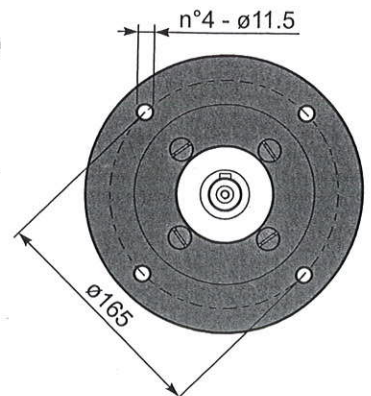
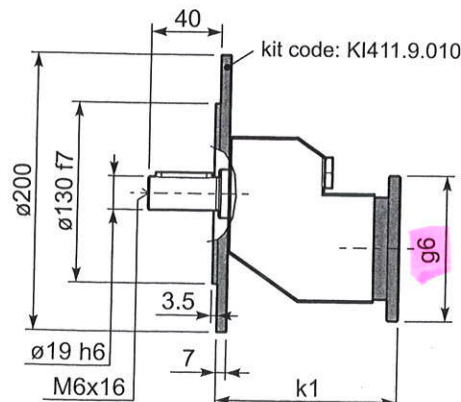
Gearbox weight
peso riduttore 5.5 kg



Output shafts / albero di uscita

	Shaft - d1	p1	h1	x
Standard	ø 19x40	6	21.5	M6x16

P4111-F... Output flange
flangia di uscita



Input flanges / flange di entrata

	k1	g6	kit code
71 B14	128.5	105	KI63.4.047
80 B14	129.5	120	KI63.4.046
90 B14	130.5	140	KI63.4.041

Telephone:

Sales Desk +44 (0) 1707 283131

Switchboard +44 (0) 1707 283100

Fax +44 (0) 1707 283132

Email dsg@davall.co.uk



QUICK SELECTION / Selezione veloce

input speed (n₁) = 1400 min⁻¹

Output Speed n ₂ [min ⁻¹]	Ratio i	Motor power P _{1M} [kW]	Output torque M _{2M} [Nm]	Service factor f.s.	Nominal power P _{1R} [kW]	Nominal torque M _{2R} [Nm]	Available B5 motor flanges		Available B14 motor flanges	Output Shaft Ratios code
							D	E	U	
							80	90	100 - 112	
1077	1.30	4	34	1.2	4.6	40				standard ø28
571	2.45	4	64	1.1	4.3	70			01	
423	3.31	4	87	1.0	4.1	90			02	
325	4.31	4	113	1.0	3.8	110			03	
266	5.27	3	104	1.1	3.1	110			04	
184	7.63	2.2	111	1.0	2.2	110			05	
133	10.50	1.1	77	1.0	1.1	80			06	
										07

The dynamic efficiency is 0.98 for all ratios

* The nominal power should be reduced if the ambient temperature is ≥ 30°C, or when a cooler gearbox is required.

* Diminuire la potenza nominale in caso di temperatura ambiente ≥ 30°C o se è richiesta una bassa temperatura di utilizzo del riduttore.

A Motor Flanges Available
Flange Motore Disponibili

B Supplied with Reduction Bushing
Fornito con Bussola di Riduzione

B Available on Request without reduction bushing
Disponibile a Richiesta senza Bussola di Riduzione

C Motor Flange Holes Position
Posizione Fori Flangia Motore

EN Unit 5111 is supplied with synthetic oil for lifetime lubrication, no maintenance is necessary.

I Il riduttore 5111 viene fornito completo di olio sintetico per la lubrificazione permanente e non necessita di alcuna manutenzione.

DISTRIBUTED BY

DAVALL STOCK GEARS

DAVALL STOCK GEARS

Welham Green, Hatfield
Hertfordshire, England, AL9 7JB

E El reductor tamaño 5111 se suministra, lubricado de por vida con aceite sintético y no requieren mantenimiento alguna.

LUBRICATION 5111 Oil Quantity 0.45 Lt.

AGIP Tellium VSF 320

SHELL Omala S4 WE 320

For all details on lubrication and plugs check our website

Per maggiori dettagli su lubrificazione e tappi olio vedi il nostro sito web

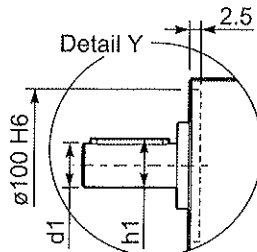
Output shaft / Albero di uscita

$F_R (N)$ $F_{eq} (N)$ $F_A (N)$ $F_{eq} = F_R \cdot \frac{65.5}{X+35.5}$

n ₂	F _A	F _R	n ₂	F _A	F _R	n ₂	F _A	F _R
700	294	1470	400	370	1850	200	460	2300
600	320	1600	300	400	2000	140	510	2550

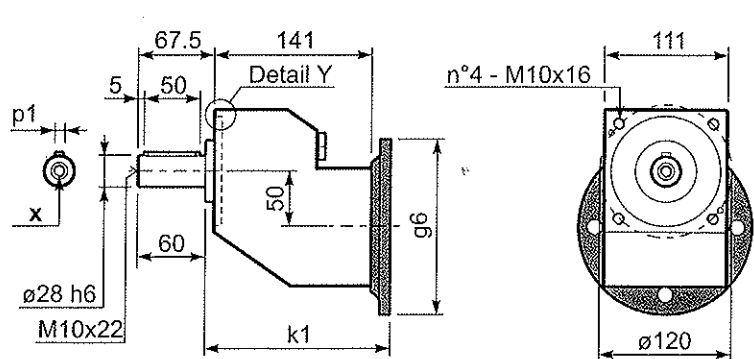
P5111-N Basic gearbox
Riduttore base

Weight
12.0 kg



Output shafts / albero di uscita

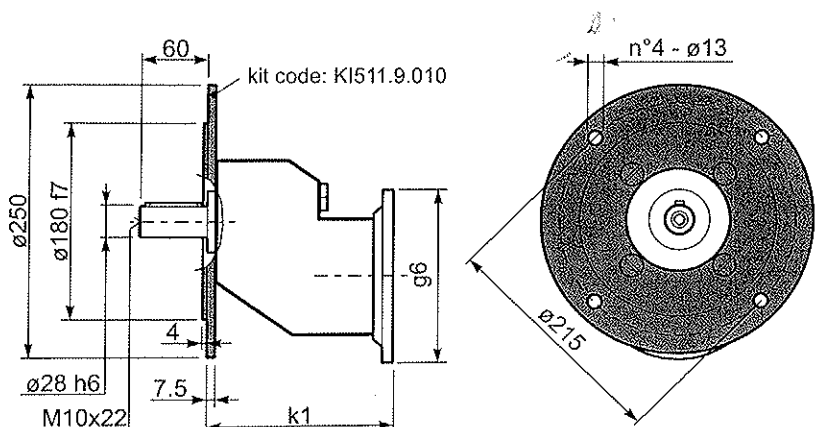
	Shaft - d1	p1	h1	x
Standard	ø 28x60	8	31	M10x22



P5111-F Output flange
flangia di uscita

Input flanges / flange di entrata

	k1	g6	kit code
80-90B14	168.5	200	KI85.4.042
100-112B14	166.5	160	KI85.4.041



Telephone:

Sales Desk +44 (0) 1707 283131

Switchboard +44 (0) 1707 283100

Fax +44 (0) 1707 283132

Email dsg@davall.co.uk