

RESATEC

Universal Tensioner Device

DAWALL™
DSG
POWER TRANSMISSION

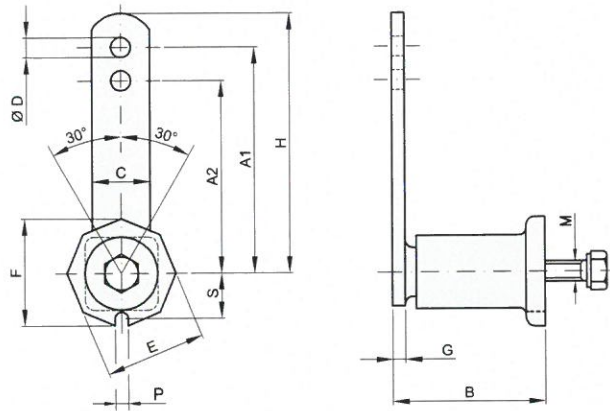


Torque / torque angle of $\pm 30^\circ$ and almost unlimited fixing possibilities, the units are very suitable for modern, maintenance free engineering



ELEMENTI TENDITORI UNIVERSALI TIPO "TE"

UNIVERSAL TENSIONERS TYPE "TE"



| codice | A1 | A2 | B | C | Ø D | E | F | G | H | Forza max in N Torque in N Δ 0 - 32° | | M | P | S | Kg. |
|--------|-----|-----|-----|----|------|-----|-----|----|-------|---|----------|-----|------|----|------|
| | | | | | | | | | | A1 | A2 | | | | |
| TE 2 * | 80 | 60 | 52 | 20 | 8,5 | 35 | 38 | 5 | 90 | 0 - 90 | 0 - 110 | M 6 | 8 | 16 | 0,25 |
| TE 3 * | 100 | 80 | 63 | 25 | 10,5 | 46 | 48 | 5 | 112,5 | 0 - 140 | 0 - 170 | M 8 | 8,5 | 21 | 0,45 |
| TE 4 * | 100 | 80 | 78 | 30 | 10,5 | 56 | 59 | 6 | 115 | 0 - 320 | 0 - 430 | M10 | 8,5 | 25 | 0,68 |
| TE 5 * | 130 | 100 | 108 | 50 | 12,5 | 72 | 76 | 8 | 155 | 0 - 820 | 0 - 1050 | M12 | 10,5 | 32 | 1,70 |
| TE 6 | 175 | 140 | 140 | 60 | 20,5 | 93 | 97 | 10 | 205 | 0 - 1500 | 0 - 1880 | M16 | 12,5 | 41 | 3,70 |
| TE 7 | 220 | 175 | 198 | 70 | 20,5 | 106 | 112 | 12 | 255 | 0 - 2500 | 0 - 3200 | M20 | 12,5 | 51 | 6,50 |

DISTRIBUTED BY



DAVALL STOCK GEARS

Welham Green, Hatfield
Hertfordshire, England, AL9 7JB

Telephone:

Sales Desk +44 (0) 1707 283131

Switchboard +44 (0) 1707 283100

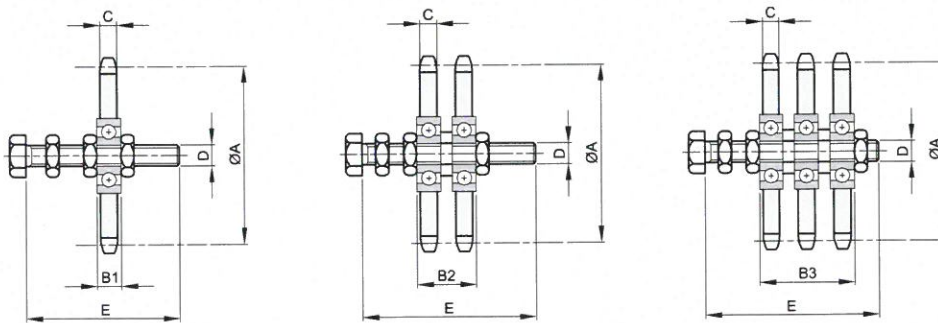
Fax +44 (0) 1707 283132

Email dsg@davall.co.uk



PIGNONI TENDICATENA TIPO "KS" - DIN 8187

SPROCKETS WHEELS TYPE "KS" - DIN 8187

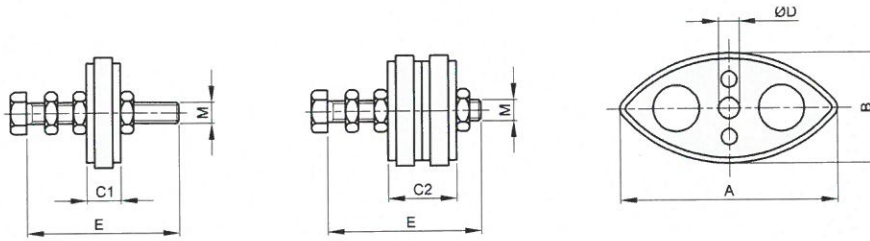


| codice | ISO | denti | Ø A | B1 | B2 | B3 | C | D | E | semplice doppia tripla | | |
|------------------|-----------|-------|--------|----|------|-------|------|-----|-----|------------------------|------|------|
| | | | | | | | | | | Kg. | Kg. | Kg. |
| KS 3/8" x 7/32" | 06B-1-2-3 | 15 | 45,81 | 9 | 19,2 | 29,4 | 5,7 | M10 | 60 | 0,15 | 0,20 | 0,25 |
| KS 1/2" x 5/16" | 08B-1-2 | 15 | 61,08 | 9 | 22,9 | | 7,2 | M10 | 60 | 0,20 | 0,35 | |
| KS 1/2" x 5/16" | 08B-1-2-3 | 15 | 61,08 | 12 | 26,0 | 40,0 | 7,2 | M12 | 80 | 0,23 | 0,45 | 0,50 |
| KS 5/8" x 3/8" | 10B-1-2-3 | 15 | 76,36 | 12 | 28,6 | 45,2 | 9,1 | M12 | 80 | 0,37 | 0,60 | 0,95 |
| KS 5/8" x 3/8" | 10B-1-2-3 | 15 | 76,36 | 15 | 31,5 | 48,2 | 9,1 | M20 | 120 | 0,70 | 1,00 | 1,25 |
| KS 3/4" x 7/16" | 12B-1-2 | 15 | 91,63 | 12 | 31,5 | | 11,5 | M12 | 80 | 0,60 | 1,05 | |
| KS 3/4" x 7/16" | 12B-1-2-3 | 15 | 91,63 | 15 | 34,5 | 54,0 | 11,5 | M20 | 120 | 0,90 | 1,35 | 1,50 |
| KS 1" x 17,02 mm | 16B-1-2-3 | 13 | 106,14 | 15 | 46,9 | 78,8 | 16,2 | M20 | 120 | 1,30 | 2,10 | 2,90 |
| KS 1 1/4" x 3/4" | 20B-1-2-3 | 13 | 132,67 | 15 | 51,5 | 88,0 | 18,5 | M20 | 140 | 2,05 | 3,60 | 5,20 |
| KS 1 1/2" x 1" | 24B-1-2-3 | 11 | 135,23 | 15 | 63,4 | 111,8 | 24,1 | M20 | 160 | 2,40 | 4,25 | 6,20 |



PATTINI TENDICATENA TIPO "CRS"
CHAINRIDER SET TYPE "CRS"

RESATEC
CERTIFICATA ISO 9001



| codice | catena | ISO | A | B | C1 | C2 | Ø D | M | E | semplice Kg. | doppio Kg. |
|-----------------|--------------|-----|-----|----|------|------|-----|-----|----|--------------|------------|
| CRS 3/8" | 3/8" x 7/32" | 06B | 74 | 40 | 10,2 | 20,4 | 8 | M 8 | 45 | 0,05 | 0,07 |
| CRS 1/2" | 1/2" x 5/16" | 08B | 96 | 50 | 13,9 | 27,8 | 10 | M10 | 60 | 0,11 | 0,15 |
| CRS 5/8" | 5/8" x 3/8" | 10B | 125 | 55 | 16,5 | 33,0 | 10 | M10 | 60 | 0,14 | 0,22 |
| CRS 3/4" | 3/4" x 7/16" | 12B | 147 | 80 | 19,5 | 39,0 | 12 | M12 | 80 | 0,22 | 0,36 |

DISTRIBUTED BY

DAVALL
STOCK GEARS

DAVALL STOCK GEARS

Welham Green, Hatfield
Hertfordshire, England, AL9 7JB

Telephone:

Sales Desk +44 (0) 1707 283131

Switchboard +44 (0) 1707 283100

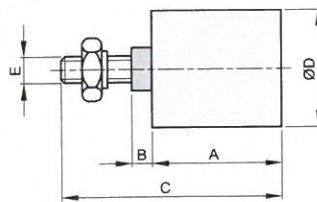
Fax +44 (0) 1707 283132

Email dsg@davall.co.uk



RULLI TENDICINGHIA TIPO "RE"
ROLLERSET TYPE "RE"

RESATEC
CERTIFICATA ISO 9001



| codice | A | B | C | Ø D | E | Kg. |
|-------------|-----|-----|-----|-----|-----|------|
| RE 2 | 35 | 3 | 51 | 30 | M 8 | 0,07 |
| RE 3 | 45 | 6 | 67 | 40 | M10 | 0,17 |
| RE 4 | 45 | 6 | 67 | 40 | M10 | 0,17 |
| RE 5 | 60 | 7,5 | 89 | 60 | M12 | 0,39 |
| RE 6 | 90 | 9 | 127 | 80 | M20 | 1,20 |
| RE 7 | 135 | 7 | 167 | 80 | M20 | 1,70 |