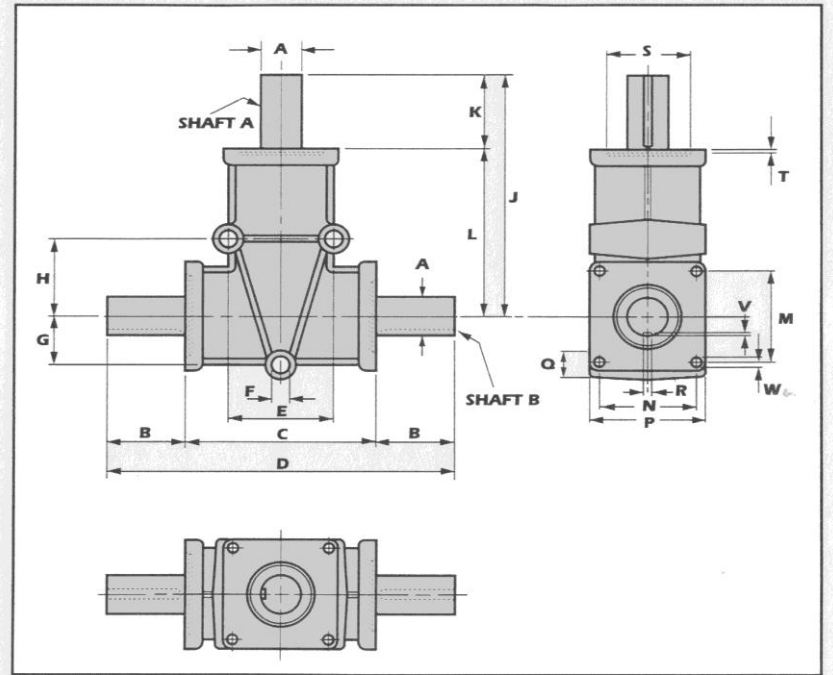
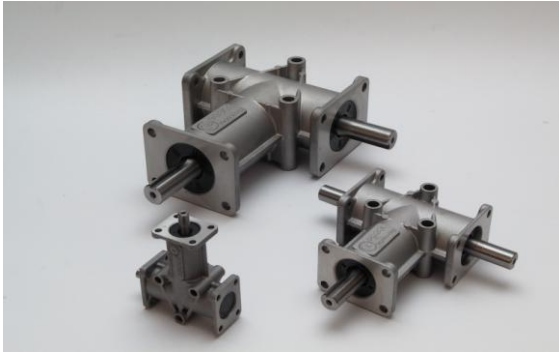


DAVALL™ STOCK GEARS

STAINLESS STEEL CASE AND SHAFTS BEVEL GEARBOX



shaft dia	output shaft length	over flange faces	output shaft overall length	case fixing centre s	cross case fixing bore	apex fixing offset from output shaft	body fixing offset from output shaft		input shaft length	catalogue reference
A Æ (f7)	B	C	D	E	F Æ	G	H	J	K	
8	15	68	98	32	6	16	16	60	15	5002 + ratio
15	35	104	174	48	8.3	24	24	125	35	5008 + ratio
20	50	150	250	76	8.3	38	38	190	50	5031 + ratio
25	70	160	300	90	12.3	45	70	220	70	5033 + ratio

	flange fixing centres	flange fixing centres	body height	fixing tube dia.	shaft keyway width	flange recess dia.	flange recess depth	shaft keyway depth	flange fixing hole dia.	catalogue reference
L	M	N	P	Q	R	S Æ (H6)	T	V	W 4 x Æ	
45	30	22	33	9	-	22	2.5	-	5.2	5002 + ratio
90	52	36	52	13	5	35	5	3	6.2	5008 + ratio
140	76	54	76	18	6	55	3.5	3.5	8.3	5031 + ratio
150	76	76	100	26	8	65	3.5	4	10.3	5033 + ratio

housing to AISI 316
bevel gears to Gleason system
shafts to AISI 316
seals in NBR rubber

power ratings as per 4000 series
catalogue DSG10 pages 144 to 146
ratio available

1:1

2:1 reduction (shaft A input)

telephone: +44 (0) 1707 28 31 31 fax: +44 (0) 1707 28 31 32
email: dsg@davall.co.uk