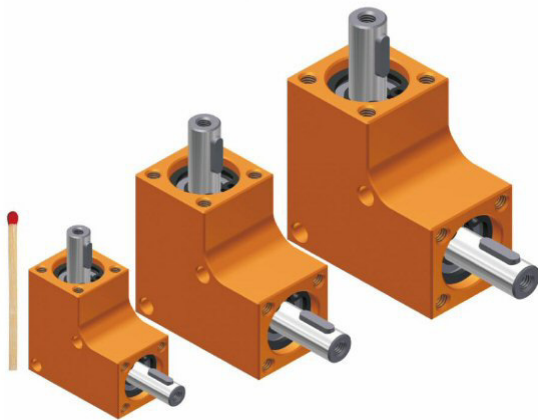


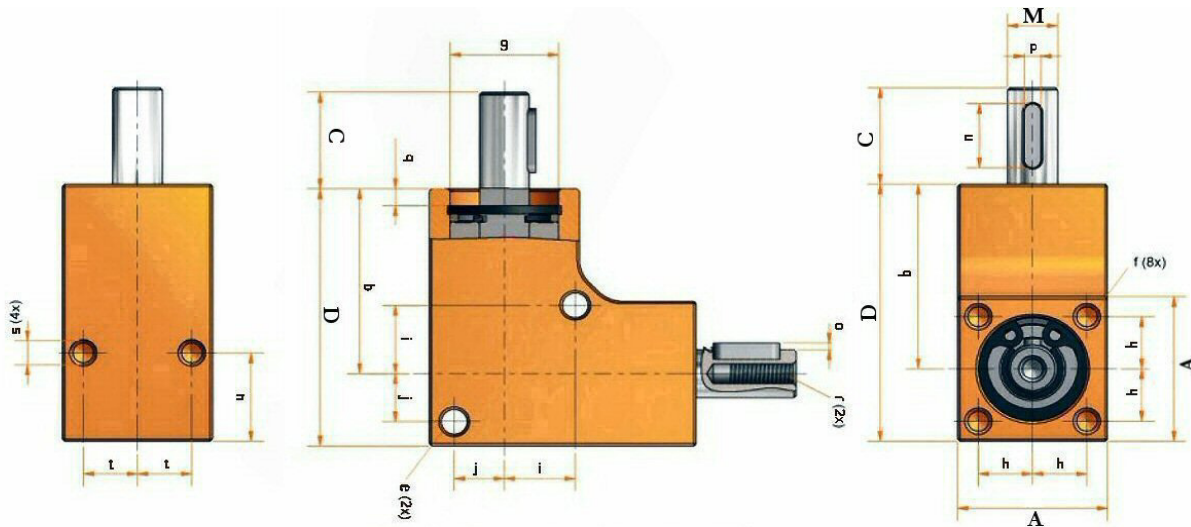
miniature BEVE-L gearbox



CASE HARDENED MITRE BEVEL GEARS
ANODISED ALUMINIUM HOUSING

Technical Data

Type	ratio	max. torque M in Nm	speed n in rpm	max. backlash in degree	radial and axial load FR in N FN in N		part weight in kg
A	1:1	0.35/0.1/0.05	100/500/1000	3° ± 1°	60	60	0.052
B	1:1	0.75/0.3/0.15	100/500/1000	3° ± 1°	100	100	0.073
C	1:1	2.5/1.0/0.5	100/500/1000	3° ± 1°	120	120	0.142
D	1:1	4.0/1.5/0.75	100/500/1000	3° ± 1°	140	140	0.189
E	1:1	5.0/2.0/1.0	100/500/1000	3° ± 1°	240	240	0.268
F	1:1	8.0/3.0/1.5	100/500/1000	3° ± 1°	550	550	0.330
G	1:1	10.0/4.0/2.0	100/500/1000	3° ± 1°	550	550	0.395



Type	dimensions in mm																			
	A	b	C	D	e	f	g	h	i	j	M	n	o	p	q	r	s	t	u	
A	18	23	12	32	ø3.1	M3x10	13	6.5	8.5	6	ø6j6	8	0.8	2	2.1	M3x8	M3x6	6.5	11	
B	20	25	12	35	ø3.1	M3x10	16	7.5	10	7	ø8j6	8	0.8	2	2.05	M3x8	M3x6	7.5	10	
C	24	30	16	42	ø4.1	M4x10	19	9	12	8	ø10j6	12	1.5	4	2	M4x8	M4x8	9	16	
D	26	33	16	46	ø4.1	M4x10	21	10	13	9	ø12j6	12	1.5	4	2	M5x8	M4x8	10	16	
E	30	38	16	53	ø4.1	M4x10	24	11	15	11	ø12j6	12	1.5	4	2.1	M5x8	M4x8	11	16	
F	32	40	16	56	ø4.1	M4x10	28	12	17	12	ø12j6	12	1.5	4	2.1	M5x8	M4x8	12	16	
G	35	42.5	16	60	ø4.1	M4x10	30	13	17.5	13.5	ø12j6	12	1.5	4	2.1	M5x8	M4x8	13	16	

DAVALL DSG - HATFIELD - AL9 7JB - U.K.

tel +44 [0] 170 728 3131 email dsg@davall.co.uk